

## Cabinet Parts • Handrail

**Knob**

You can choose a type and finish according to the door.

**Round Knob**



Material: ZDC  
Door Thickness: 16~26mm

Product No.	Size(mm)	Finish/Color
222-011	φ 25	Satin Silver
222-013		Satin Gold
222-014		Dark Amber
222-015		Iron Black
222-021	φ 30	Satin Silver
222-023		Satin Gold
222-024		Dark Amber
222-025		Iron Black

Screw included:  
M4 × 32 Truss head machine screw 1pcs



**ND Knob**



Material: ZDC  
Door Thickness: 18~26mm

Product No.	Size(mm)	Finish/Color
223-001	φ 30	Satin Silver
223-002		Satin Gold

Screw included:  
M4 × 32 Truss head machine screw 1pcs



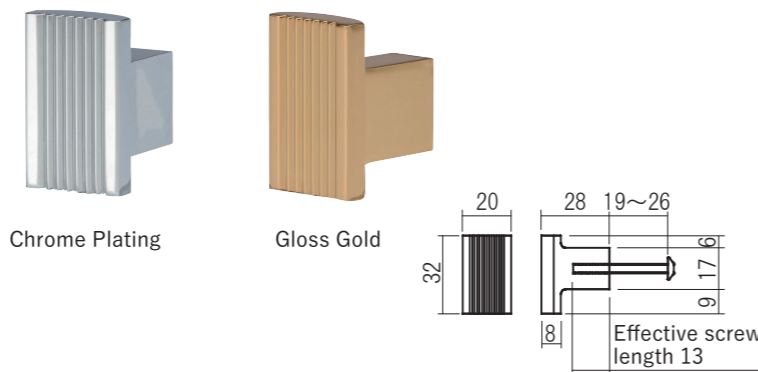
**Square Knob**



Material: ZDC  
Door Thickness: 19~26mm

Product No.	Size(mm)	Finish/Color
224-011	32 × 20	Chrome Plating
224-012		Gloss Gold

Screw included:  
M4 × 32 Truss head machine screw 1pcs



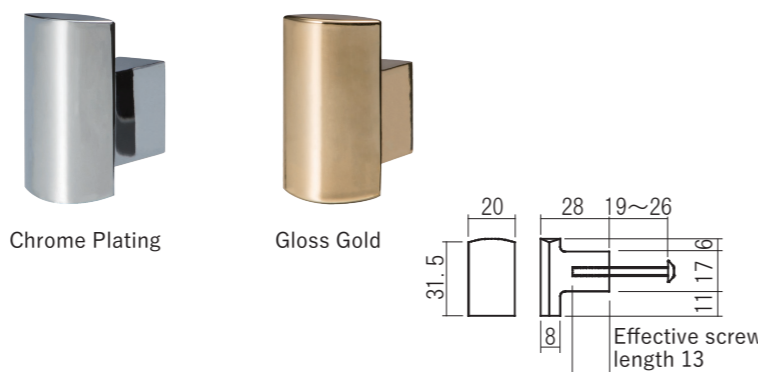
**Oval Knob**



Material: ZDC  
Door Thickness: 19~26mm

Product No.	Size(mm)	Finish/Color
225-011	31.5 × 20	Chrome Plating
225-012		Gloss Gold

Screw included:  
M4 × 32 Truss head machine screw 1pcs



**Handle, Pull**

You can choose the shape and finish according to the door.

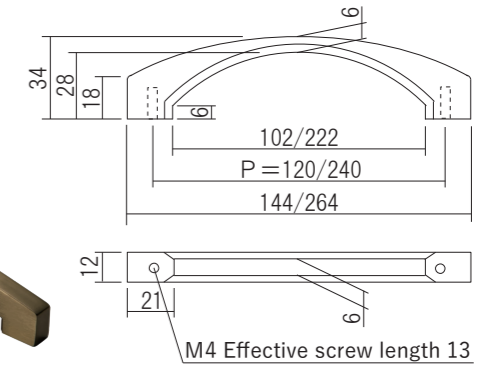
**Closet Handle**



Door Thickness: 18~24mm

Product No.	P: length	Material	Finish/Color
222-252	120mm	ZDC	Satin Silver
222-262			Satin Gold
222-272	240mm	ADC	Satin Silver
222-282			Satin Gold
222-292	120mm	Resin	Silver Painting
222-202			Gold Painting

Screw included:  
M4 × 30 Truss head machine screw 2pcs

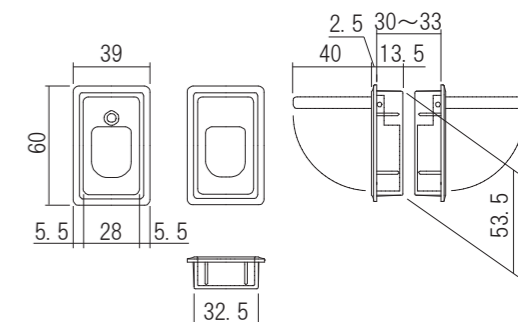


**Privacy Door Pull**

Material: ZDC  
Door Thickness: 30~33mm

Product No.	Finish/Color
222-722	Satin Silver
222-723	Satin Gold

※ Price for two pieces as one set.  
Screw included:  
M4 × 20 Flat head machine screw 2pcs



Level Handles

Door Parts

Sliding Door Parts

Accessories

Cabinet Parts - Handrail

Euro Series

Handle

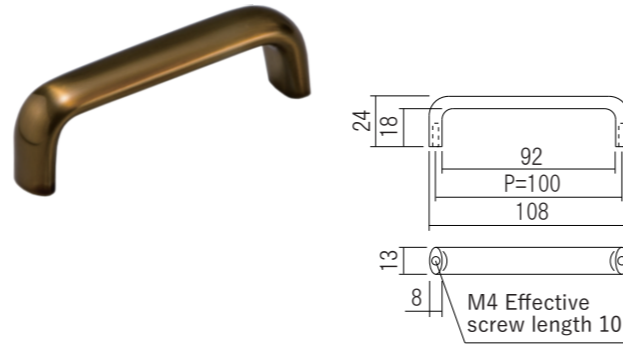
You can choose the shape and finish according to the door.



D Type Handle

Material: ZDC  
Door Thickness: 25~29mm

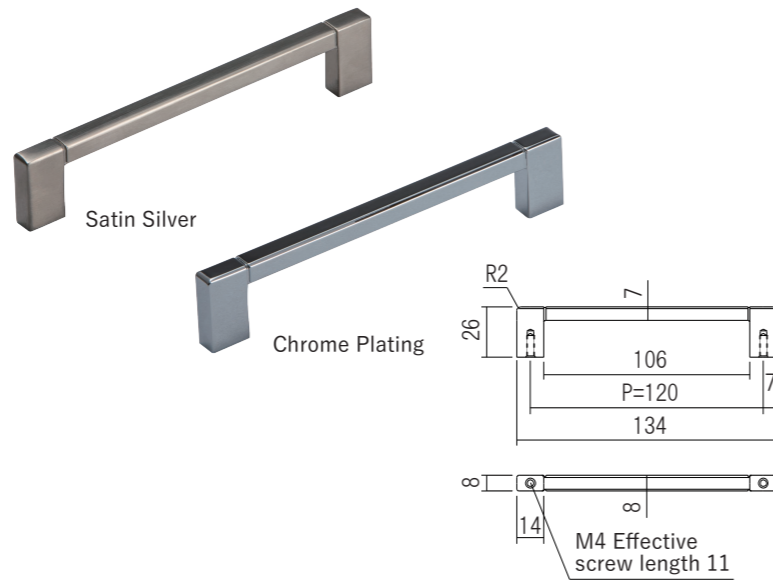
D Type Handle		
Product No.	P: length(mm)	Finish/Color
222-212	100	Amber
Screw included: M4 × 35 Truss head machine screw 2pcs		



TKC Handle

Material: ZDC  
Door Thickness: 19~24mm

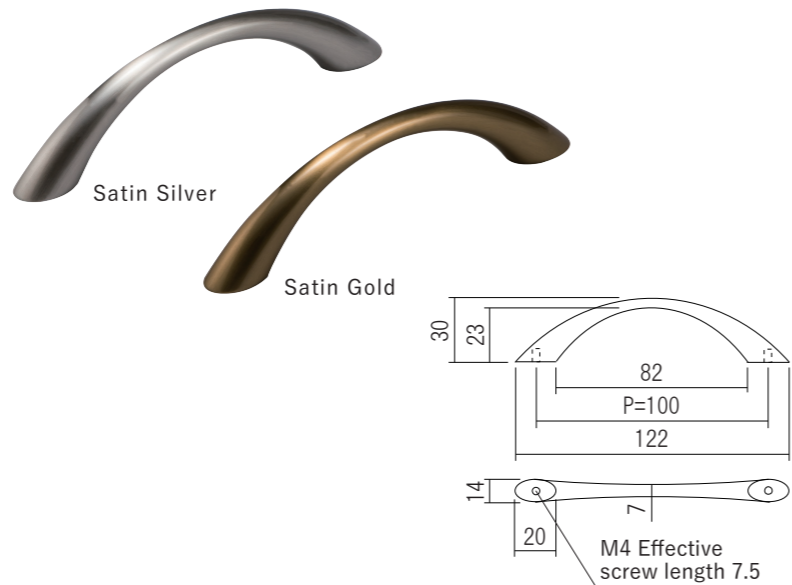
TKC Handle		
Product No.	P: length(mm)	Finish/Color
223-120HS	120	Satin Silver
223-120CR		Chrome Plating
Screw included: M4 × 30 Truss head machine screw 2pcs		



ND Handle

Material: ZDC  
Door Thickness: 13~14mm

ND Handle		
Product No.	P: length(mm)	Finish/Color
222-232	100	Satin Silver
222-242		Satin Gold
Screw included: M4 × 20 Truss head machine screw 2pcs		

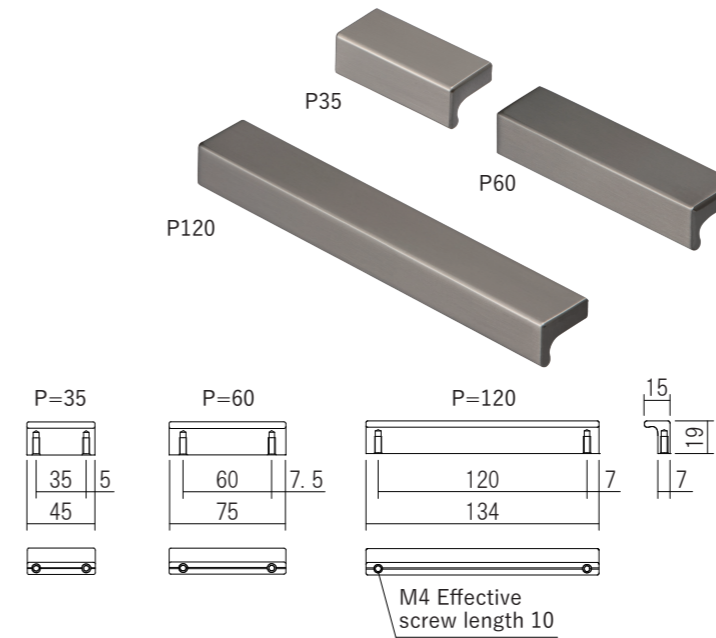


RK Handle

This Cabinet handle has a stylish design and easy to grip. It can be installed in a wide range cabinets from living room, kitchen, and restroom.

Material: ADC  
Door Thickness: 14~16mm

RK Handle		
Product No.	P: length(mm)	Finish/Color
226-035	35	Satin Silver
226-060	60	
226-120	120	
Screw included: M4 × 22 Truss head machine screw 2pcs		

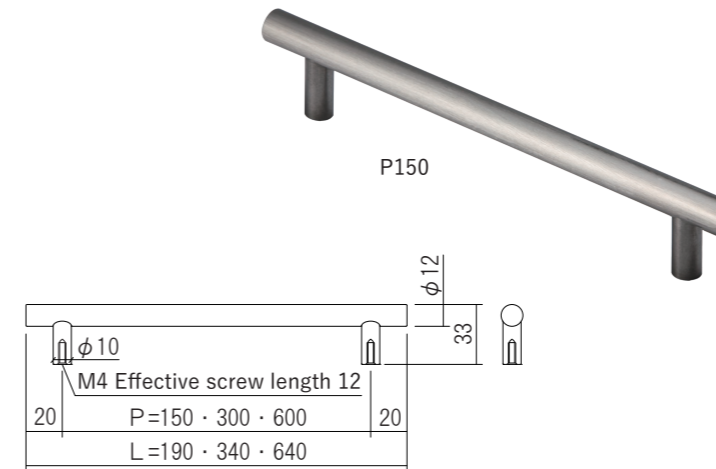


CA Handle

A Cabinet and kitchen handle that made of Stainless. The hairline finish is harmonized with the door.

Material: Stainless  
Door Thickness: 18~24mm

CA Handle		
Product No.	P: length(mm)	Finish/Color
224-020	150	Hairline
224-021	300	
224-022	600	
Screw included: M4 × 30 Truss head machine screw 2pcs ※ There is a possibility of bending depend on the usage of P=600.		

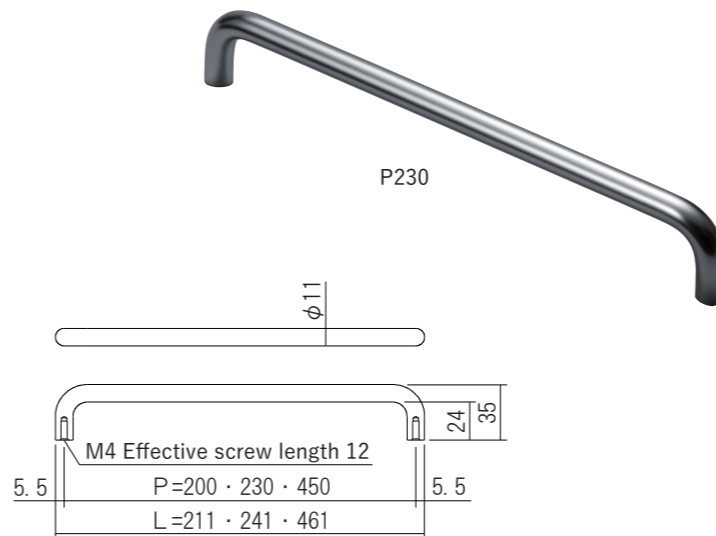


MJ Handle

A storage and kitchen handle with a simple design. We made it with a clean design to fit various kinds of storage.

Material: Aluminum  
Door Thickness: 18~24mm

MJ Handle		
Product No.	P: length(mm)	Finish/Color
224-001	200	Alumite Silver
224-002	230	
224-004	450	
Screw included: M4 × 30 Truss head machine screw 2pcs ※ There is a possibility of bending depend on the usage of P=450.		





**Wardrobe Hanger Rail set**

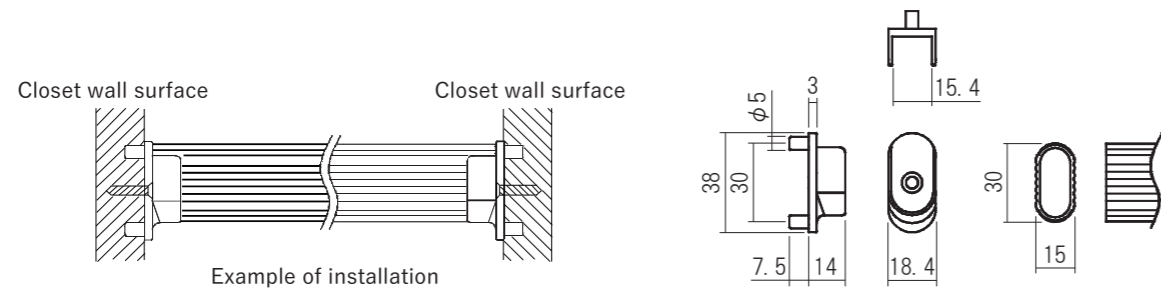
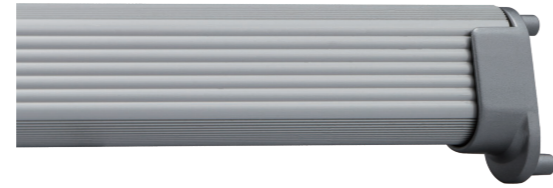
This product is a wall mounted hanger rail with a beautiful matte finish design.

Material: Aluminum, ZDC  
 Load Capacity: 392N(40kg)  
 Finish/Color: Matte Finish Silver

Wardrobe Hanger Rail set

Product No.	Rail length(mm)
330-011	427
330-012	727
330-013	1,027
330-014	1,177

Screw included:  
 3.5×10 Flat head tapping screw 2pcs



**Hanger Pipe set**

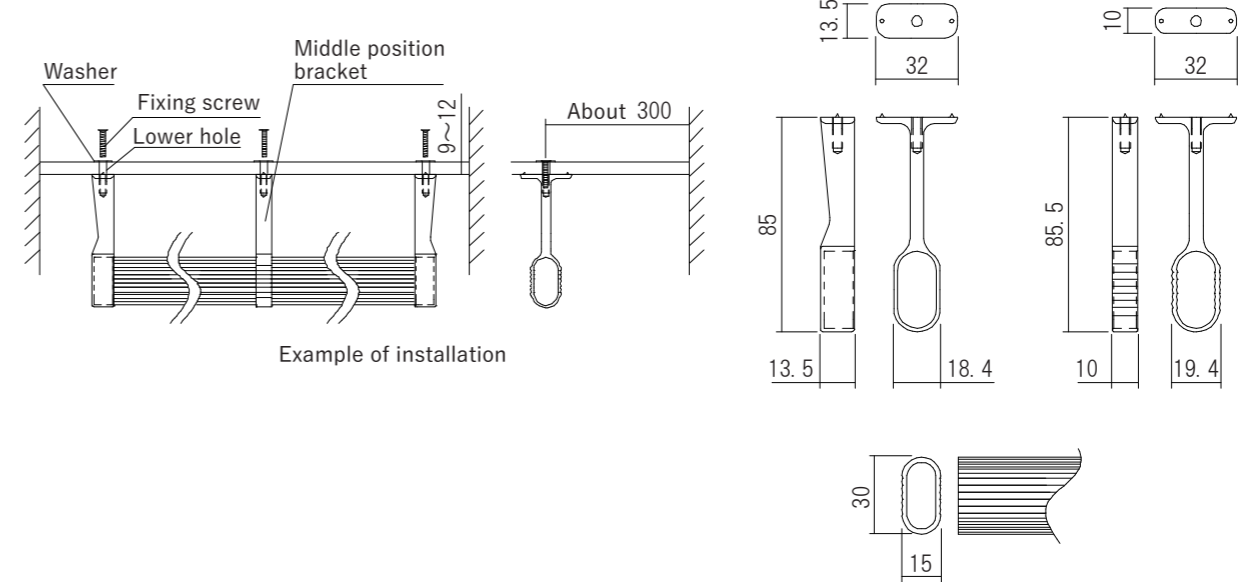
This product is a hanging type hanger rail with a beautiful design.

Material: Aluminum, ZDC  
 Load Capacity: 392N(40kg)  
 Finish/Color: Matte Finish Silver

Hanger Pipe set

Product No.	Pipe length(mm)
331-011	897
331-012	1,347
331-013	1,797

※331-011 without middle position bracket.  
 Screw included:  
 M4×20 Flat head machine screw  
 〈331-011〉 2pcs  
 〈331-012, 331-013〉 3pcs





**Round Bar Handrail**

Modern Handrail series.

You can choose the shape and Length of this product to fit the usage and location.

**NI Type**

(Standing up and walking assist handrail)

Material: (Handrail) Natural Wood  
(Bracket) ZDC, Resin

**NI Type Round Bar Handrail set**

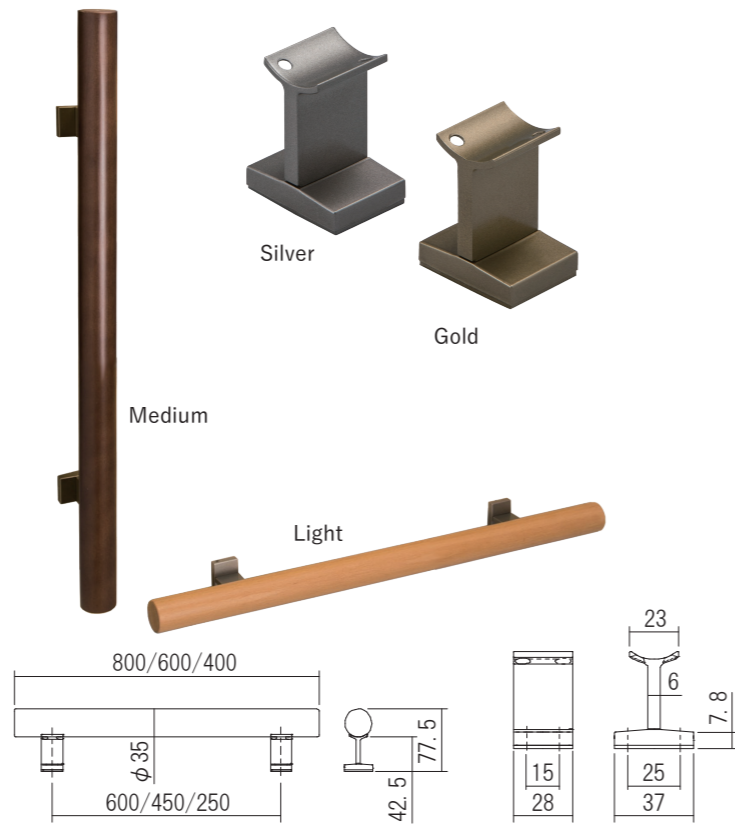
Product No.	Length (mm)	Finish/Color Handrail	Bracket
854-043	400	Light	Silver
854-045		Light	Gold
854-044		Medium	Silver
854-042		Medium	Gold
854-063	600	Light	Silver
854-065		Light	Gold
854-064		Medium	Silver
854-062		Medium	Gold
854-083	800	Light	Silver
854-085		Light	Gold
854-084		Medium	Silver
854-082		Medium	Gold

Screw included:  
4 × 40 Pan head tapping screw 8pcs

**NI Type Bracket Only (2pcs as one set)**

Product No.	Finish/Color
860-052	Silver
860-053	Gold

Screw included:  
4 × 40 Pan head tapping screw 8pcs  
3.5 × 20 Round flat head tapping screw 4pcs



**NI Type Entrance**

(Standing up and walking assist handrail)

Material: (Handrail) Natural Wood  
(Bracket) ZDC, Resin

**NI Type Entrance Round bar Handrail set**

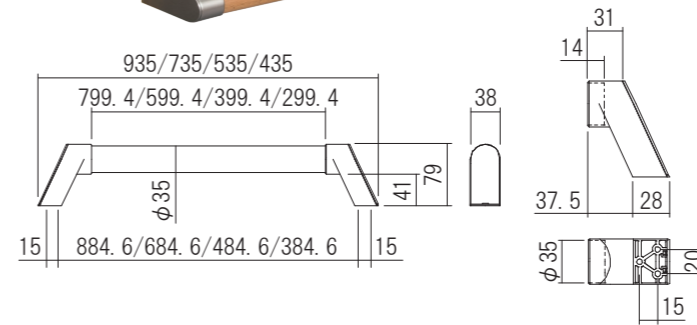
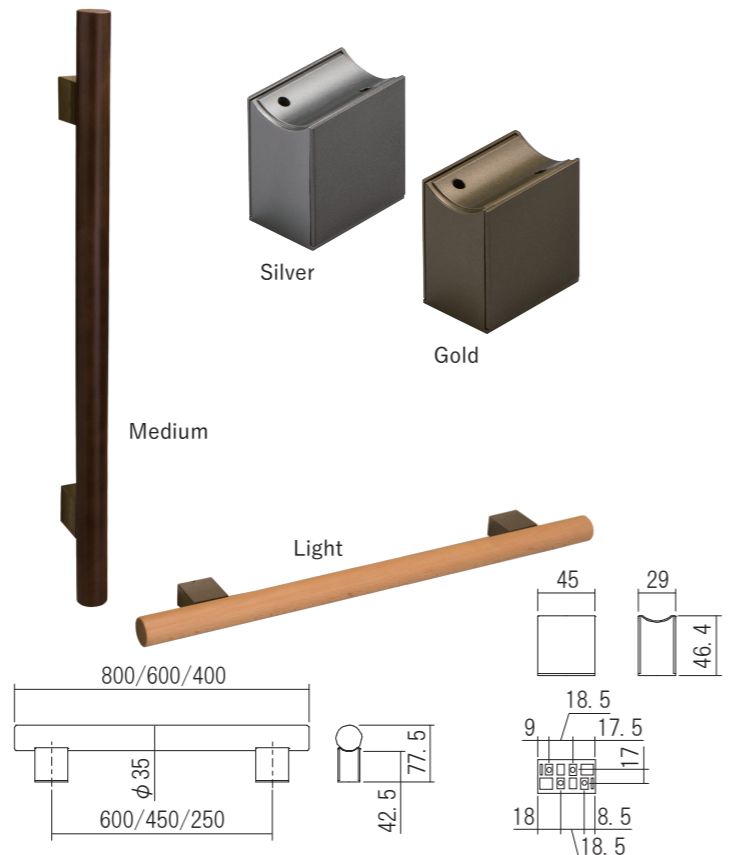
Product No.	Length (mm)	Finish/Color Handrail	Bracket
855-043	400	Light	Silver
855-045		Light	Gold
855-044		Medium	Silver
855-042		Medium	Gold
855-063	600	Light	Silver
855-065		Light	Gold
855-064		Medium	Silver
855-062		Medium	Gold
855-083	800	Light	Silver
855-085		Light	Gold
855-084		Medium	Silver
855-082		Medium	Gold

Screw included:  
4 × 40 Pan head tapping screw 8pcs

**NI Type Entrance Bracket Only (2pcs as one set)**

Product No.	Finish/Color
860-062	Silver
860-063	Gold

Screw included:  
4 × 40 Pan head tapping screw 8pcs  
3.5 × 20 Round flat head tapping screw 4pcs



**NE Type**

(Standing up and walking assist handrail)

Material: (Handrail) Natural Wood  
(Bracket) ZDC, Resin

**NE Type Round Bar Handrail set**

Product No.	Length (mm)	Finish/Color Handrail	Bracket
853-043	435	Light	Silver
853-045		Light	Gold
853-044		Medium	Silver
853-042		Medium	Gold
853-063	535	Light	Silver
853-065		Light	Gold
853-064		Medium	Silver
853-062		Medium	Gold
853-083	735	Light	Silver
853-085		Light	Gold
853-084		Medium	Silver
853-082		Medium	Gold
853-093	935	Light	Silver
853-095		Light	Gold
853-094		Medium	Silver
853-092		Medium	Gold

Screw included:  
4 × 40 Pan head tapping screw 6pcs

**NE Type Bracket Only (2pcs as one set)**

Product No.	Finish/Color
860-042	Silver
860-043	Gold

Screw included:  
4 × 40 Pan head tapping screw 6pcs  
3.5 × 20 Round flat head tapping screw 4pcs

**NL Type**

(Walking support handrail)

Material: (Handrail) Natural Wood  
(Bracket) ZDC, Resin

**NL Type Round Handrail set**

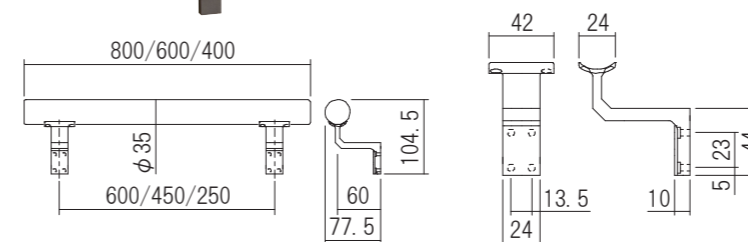
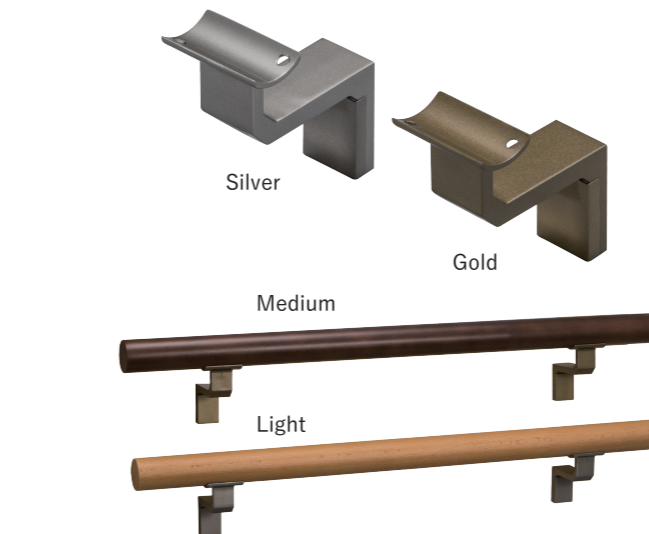
Product No.	Length (mm)	Finish/Color Handrail	Bracket
856-043	400	Light	Silver
856-045		Light	Gold
856-044		Medium	Silver
856-042		Medium	Gold
856-063	600	Light	Silver
856-065		Light	Gold
856-064		Medium	Silver
856-062		Medium	Gold
856-083	800	Light	Silver
856-085		Light	Gold
856-084		Medium	Silver
856-082		Medium	Gold

Screw included:  
4 × 40 Pan head tapping screw 8pcs

**NL Type Bracket Only (2pcs as one set)**

Product No.	Finish/Color
860-072	Silver
860-073	Gold

Screw included:  
4 × 40 Pan head tapping screw 8pcs  
3.5 × 20 Round flat head tapping screw 4pcs



※ It is possible to connect handrails in hallway, stairs, etc. by combining free joint and ring joints.

**Free Joint**

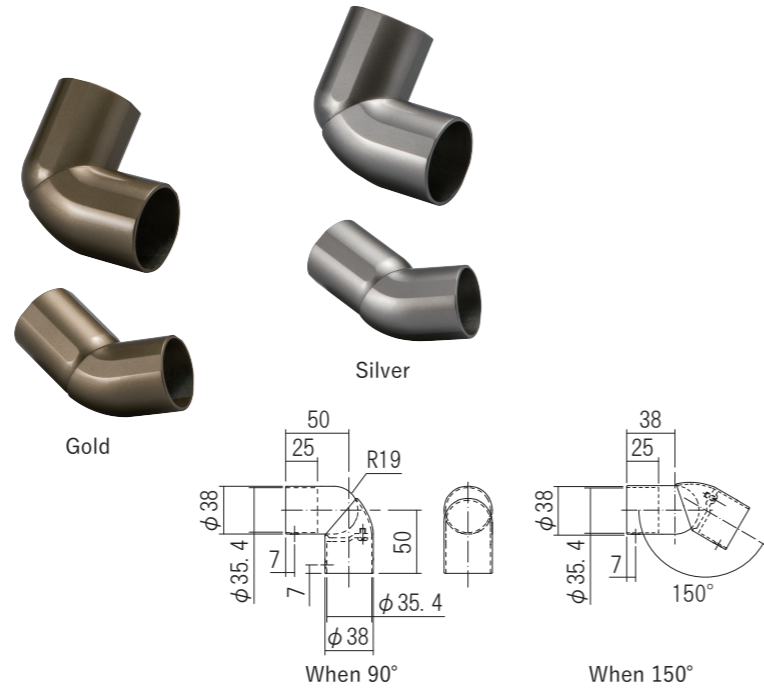


This is a joint that can connect Round bar handrail even if on the position with an angle like hallways and stairs. It can be adjusted from 90° to 150°.

Material: ZDC

Free Joint	
Product No.	Finish/Color
860-083	Gold
860-084	Silver

Screw included:  
4 × 25 Round flat head tapping screw 2pcs



**Ring Joint**

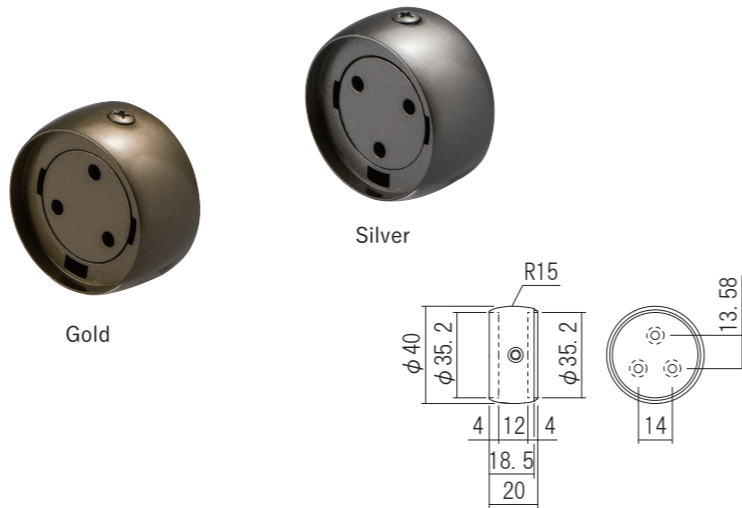


This is a joint which connect a straight round bar handrail such as a corridor handrail, etc.

Material: ZDC

Ring Joint	
Product No.	Finish/Color
860-093	Gold
860-094	Silver

Screw included:  
4 × 35 Round flat head tapping screw 1pcs  
3 × 25 Flat head tapping screw 6pcs



**Handrail**

This round bar handrail is made from natural wood.

Material: Natural Wood

Handrail		
Product No.	Length(mm)	Finish/Color
860-010	300	Light
860-014		Medium
860-011	400	Light
860-015		Medium
860-012	600	Light
860-016		Medium
860-013	800	Light
860-017		Medium



Light



Medium

