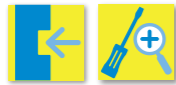


# Euro Series



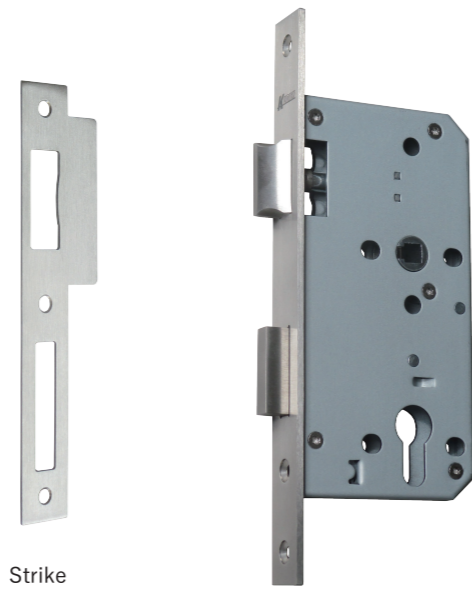
**Mortice Locks**

Conforming to DIN18251.  
 Fire-rated period for more than 2 hours,  
 can be used in Fire-rated doors.  
 Conforming to EN12209:2003/AC2005

Material: (Mortice)Steel, Stainless  
 (Strike)Stainless  
 (Strike Pocket)Resin  
 Back Set:60mm  
 Durability Testing:500,000 times  
 Specification: EN12209, DIN18251

Mortice Lock	Specification
500-010	Sash lock
500-011	Night latch lock
500-012	Deadlock
500-013	Passage lock
500-014	Privacy lock
500-015	Classroom lock
500-016	Roller lock

Screw included:  
 4.8×25 Flat head tapping screw 2pcs  
 4×16 Flat head tapping screw 3pcs  
 Parts included:  
 Mortice Lock 1pcs  
 Assembly screws 1set  
 Strike 1pcs  
 Strike Pocket 1pcs



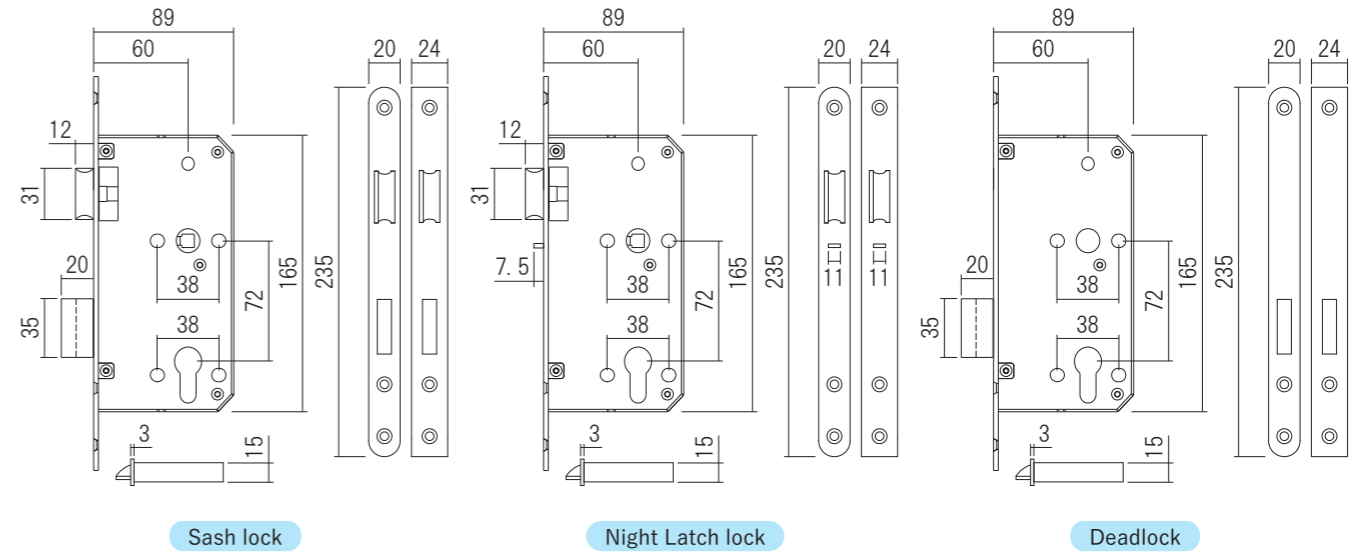
Strike

Sash Lock



Night Latch lock    Deadlock    Passage lock    Privacy lock    Classroom lock    Roller lock

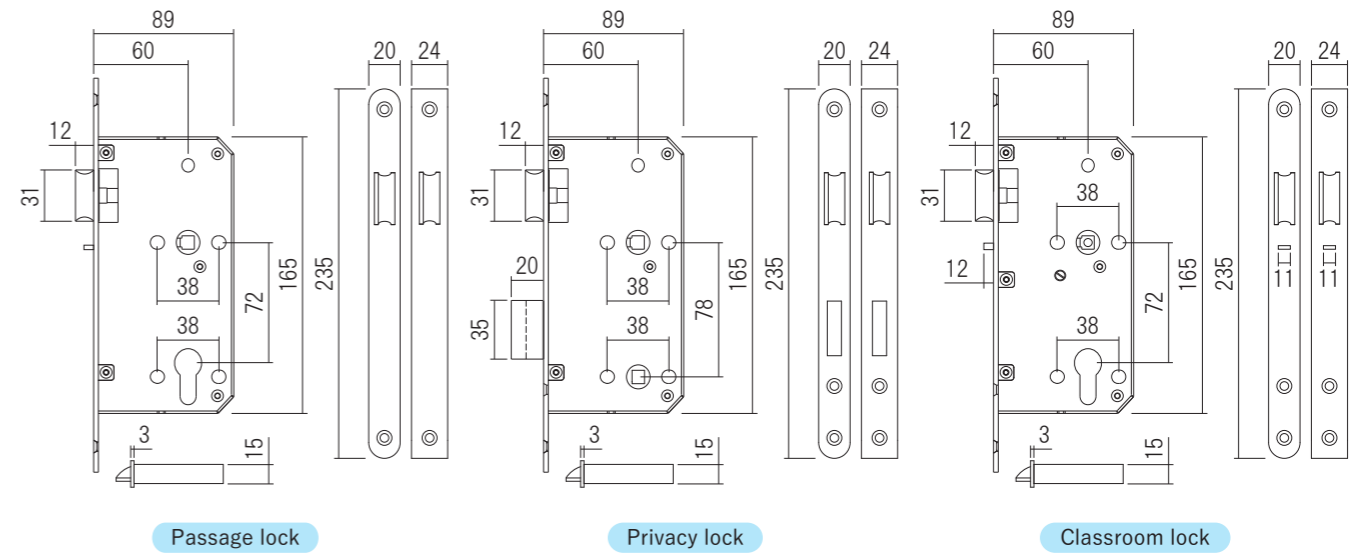
- Sash lock**      Latch bolt withdrawn by cylinder key, thumb turn and handle operation from either side of door. (Escape sash lock means dead and latch bolt withdrawn simultaneously by inside lever handle.)
- Night Latch lock**      Cylinder key operation from the outside of the door and handle operation from inside. (Anti-poke night latch means Latchbolt is automatically locked by the anti-poke bolt.)
- Deadlock**      Deadbolt operated by cylinder key and thumb turn.
- Passage lock**      Latch bolt withdrawn by handle operation from both sides of door.
- Privacy lock**      Latch bolt withdrawn by handle operation from both sides of door. Deadbolt operated by a tool and thumb turn.
- Classroom lock**      Latchbolt operated by internal handle and by cylinder key outside. The external handle is ineffective.
- Roller lock**      Roller is free, deadbolt is operated by cylinder and thumb turn.



Sash lock

Night Latch lock

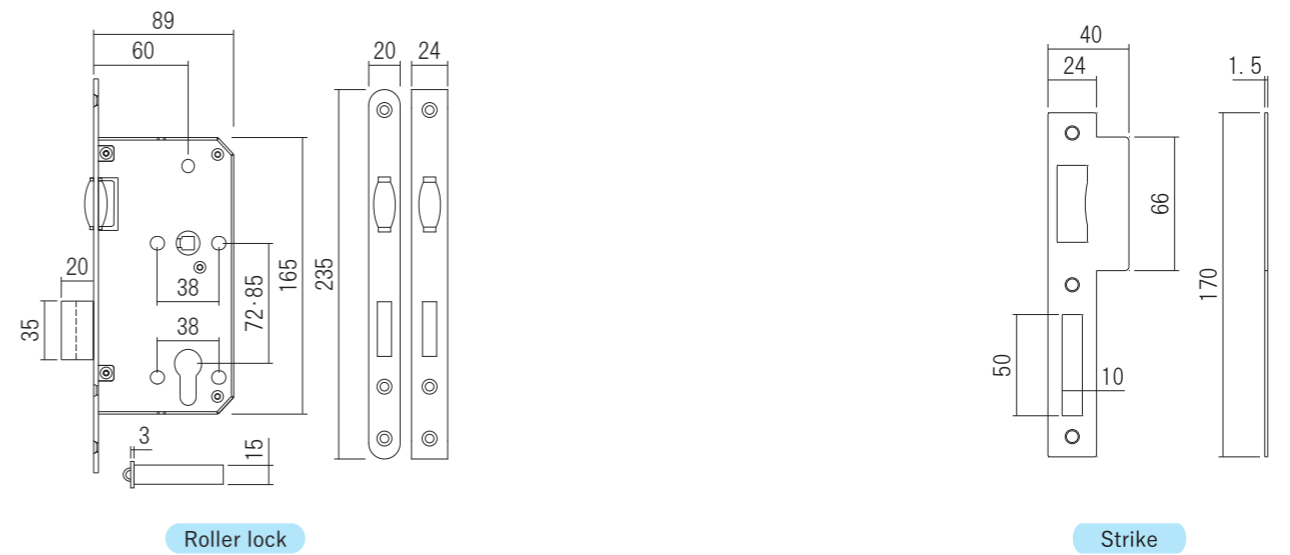
Deadlock



Passage lock

Privacy lock

Classroom lock



Roller lock

Strike

**Fire-rated Handle**



Fire-rated for 3 hours, included in a successful fire test to EN1634, can be used in a fire-rated door. Conforming to EN1906, DIN18251

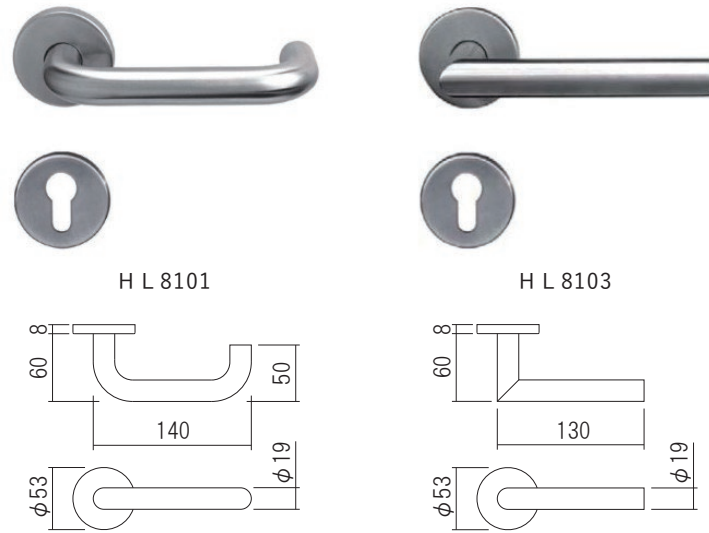
Material: Stainless  
 Finish/Color: Satin Finish  
 Durability Testing: 200,000 times  
 Fire-rated Testing period: 3 hours  
 Specification: EN1906, DIN18251

**Fire-rated Handle**

Product No.	Model No.
500-030	LH8101
500-031	LH8103

**Parts included:**

- Fire-rated Handle 1pair
- Escutcheon 1pcs
- Assembly screws 1set
- Allenwrench 1pcs



**Standard Cylinder**



Top 6 pins made of solid brass, bottom pins of anti-drill stainless.

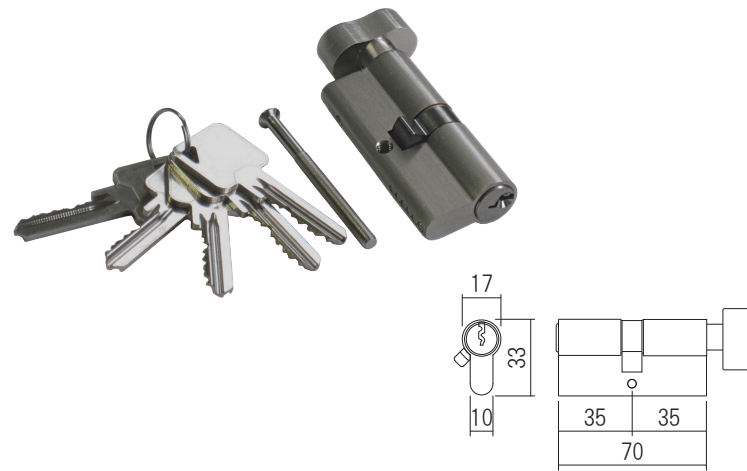
Material: Brass, Stainless  
 Finish/Color: Satin Nickel  
 Durability Testing: 200,000 times  
 Specification: EN1303:2005

**Standard Cylinder**

Product No.
500-046

**Parts included:**

- Standard Cylinder 1pcs
- Brass key 5pcs
- Steel screw 1pcs



**Euro Profile Escutcheon**



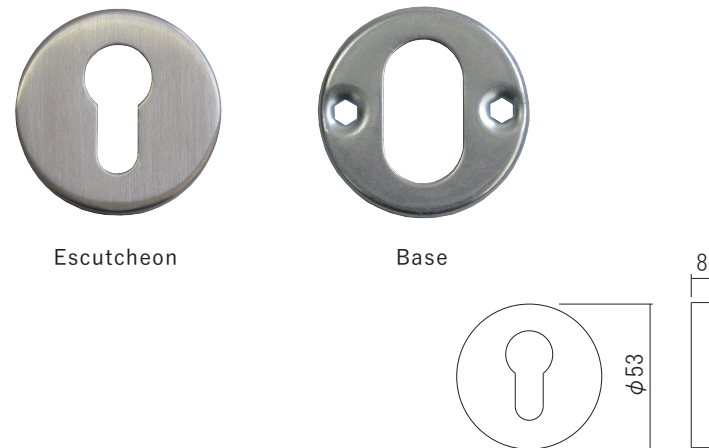
Material: (Escutcheon)Stainless (Base)Steel  
 Finish/Color: Satin Finish

**Euro Profile escutcheon**

Product No.
500-045

**Parts included:**

- Euro Profile escutcheon 1set



**Rectangular Recessed Pull**

Cylinder can be concealed under the cover, Door appearance seemed smooth and flat. When put the key into the cylinder, the cover can be used as a pull.

Material: Stainless

**Rectangular Recessed Pull**

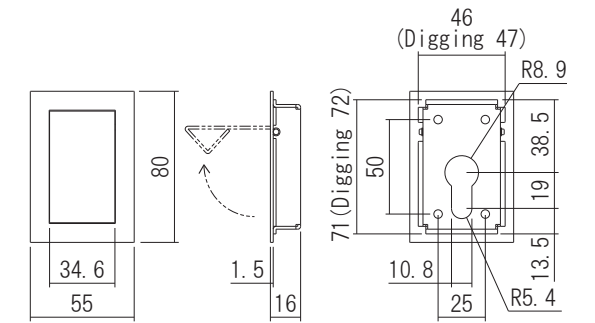
Product No.	Finish/Color
500-040	Satin Finish
500-041	Black

**Screw included:**

- 4 × 12 Flat head machine screw(D7) 4pcs

**Parts included:**

- Rectangular Recessed Pull 1pcs
- Assembly screws 1set



**Euro Fire-rated Hinge**



Fire-rated for 2 hours, included in a successful fire test to EN1634. Conforming to EN1935:2002, Grade 13.

Material: Stainless  
 Finish/Color: Raw Material

**Euro fire-rated hinge**

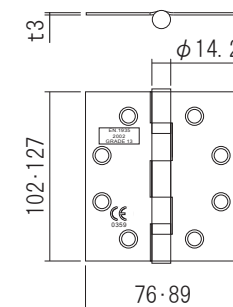
Product No.	Size(mm)	Material
500-000	127 × 76 × t3	SUS304
500-001	102 × 76 × t3	SUS304
500-002		SUS316
500-003	127 × 89 × t3	SUS304
500-004		SUS316

**Screw included:**

- 4.5 × 30 Flat head tapping screw 8pcs

**Parts included:**

- Euro fire-rated hinge 1pcs
- Assembly screws 1set

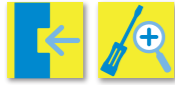


**The number of hinges required**

Door height (mm)	Hinges Quantity
Below 1523	2
1524~2285	3
2286~3048	4

**Load capacity table**

Hinge size (mm)	Load capacity (kg)	Door Width (mm)
102 × 76 × t3	45	Below 850
127 × 76 × t3	50~60	Below 900
127 × 89 × t3	50~60	Below 900

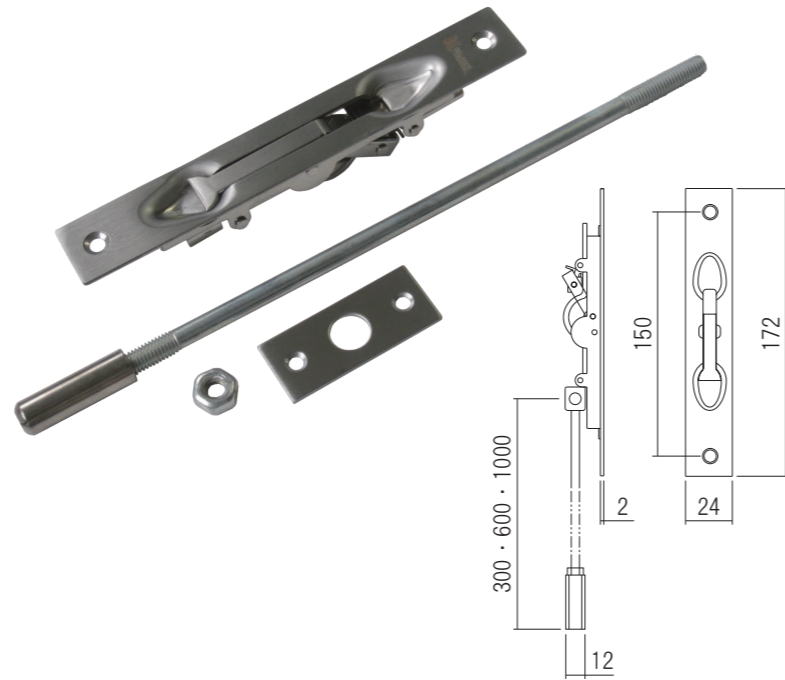


### Extension Flush Bolt

Material: Stainless  
 Finish/Color: Satin Finish  
 Fire-rated Testing Period: 2 hours

Extension Flush Bolt	
Product No.	Rod length(mm)
500-070	300
500-071	600
500-072	1,000

Screw included:  
 (Main unit)  
 M5 × 12 Flat head machine screw 4pcs  
 (Strike)  
 M4 × 8 Flat head machine screw 4pcs  
 Parts included:  
 Extension Flush Bolt 2pcs  
 Assembly screws 1set



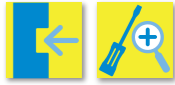
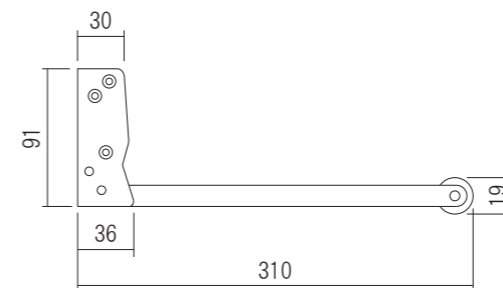
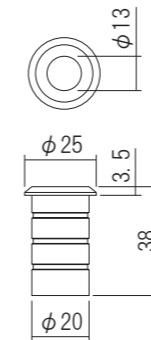
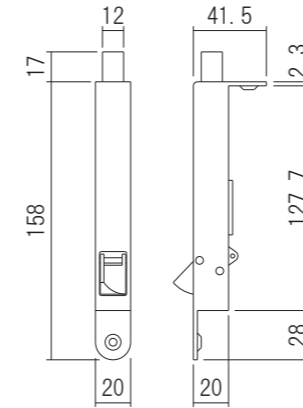
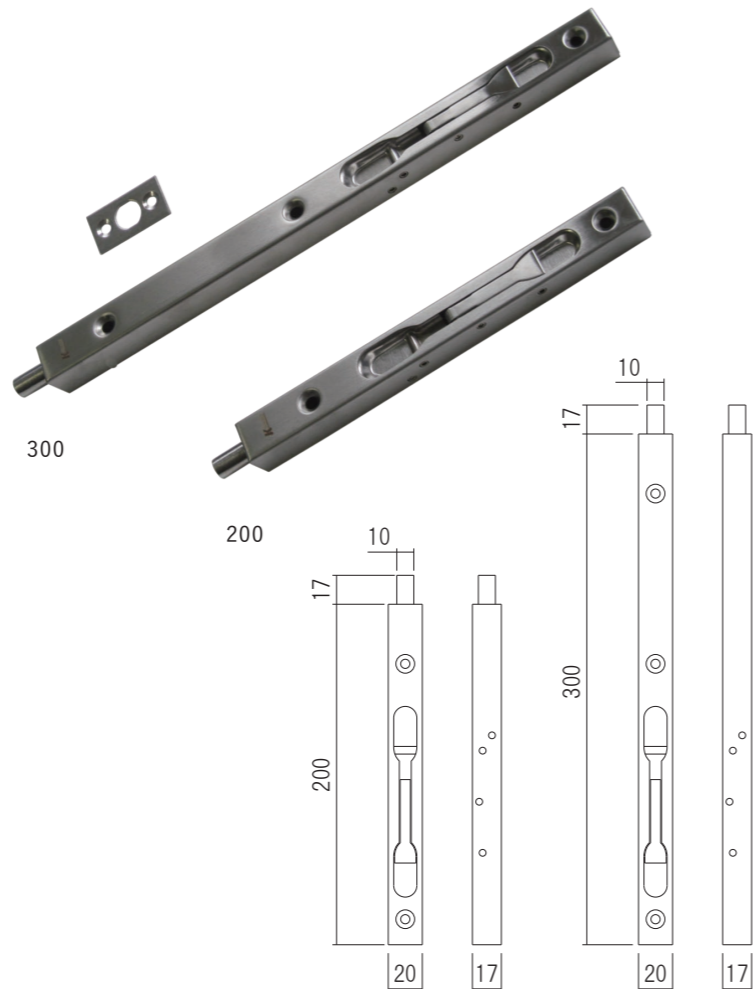
### Box Type Flush Bolt



Material: Stainless  
 Finish/Color: Satin Finish  
 Fire-rated Testing Period: 2 hours

Box Type Flush Bolt	
Product No.	Length(mm)
500-080	200
500-081	300
500-082	600
500-083	1,000

Screw included:  
 (Main unit)  
 4 × 30 Flat head tapping screw 2~3pcs  
 (Strike)  
 3.5 × 20 Flat head tapping screw 2pcs  
 Parts included:  
 Box Type Flush Bolt 1pcs  
 Assembly screws 1set



### Automatic Flush Bolt

Material: Stainless  
 Finish/Color: Satin Finish  
 Fire-rated Testing Period: 2 hours

Automatic Flush Bolt  
 Product No. \_\_\_\_\_  
 500-073  
 Screw included:  
 3.5 × 20 Flat head tapping screw 8pcs  
 Parts included:  
 Automatic Flush Bolt 2pcs  
 Assembly screws 1set



### Dust Proof Socket



Material: Stainless  
 Finish/Color: Satin Finish

Dust Proof Socket  
 Product No. \_\_\_\_\_  
 500-042  
 Parts included:  
 Dust Proof Socket 1pcs

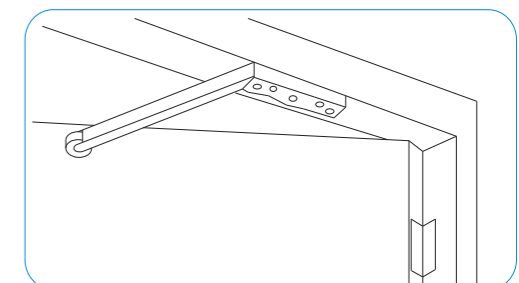
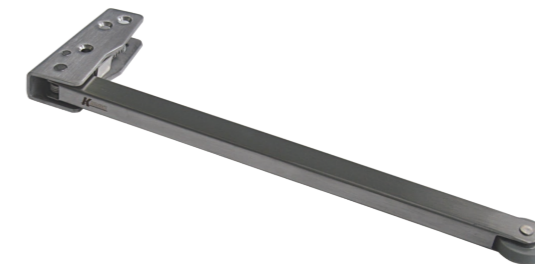


### Door Selector



Material: Stainless  
 Finish/Color: Satin Finish

Door Selector  
 Product No. \_\_\_\_\_  
 500-060  
 Screw included:  
 4.8 × 35 Flat head tapping screw 3pcs  
 Parts included:  
 Door Selector 1pcs  
 Assembly screws 1set

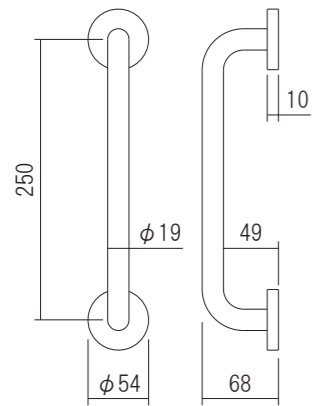


**D-Pull Handle**



Material: Stainless  
Finish/Color: Satin Finish

D-Pull Handle  
Product No.  
500-050  
Screw included:  
3.8×25 Flat head tapping screw 6pcs  
Parts included:  
D-Pull Handle 1pcs  
Assembly screws 1set

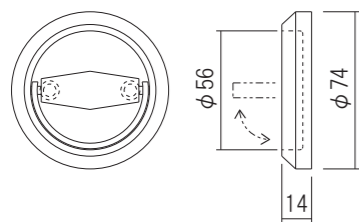


**Cup Ring Handle**



Material: Stainless  
Finish/Color: Satin finish

Cup Ring Handle  
Product No.  
500-044  
Screw included:  
3.8×16 Flat head tapping screw 4pcs  
Parts included:  
Cup Ring Handle 2pcs  
Assembly screws 1set

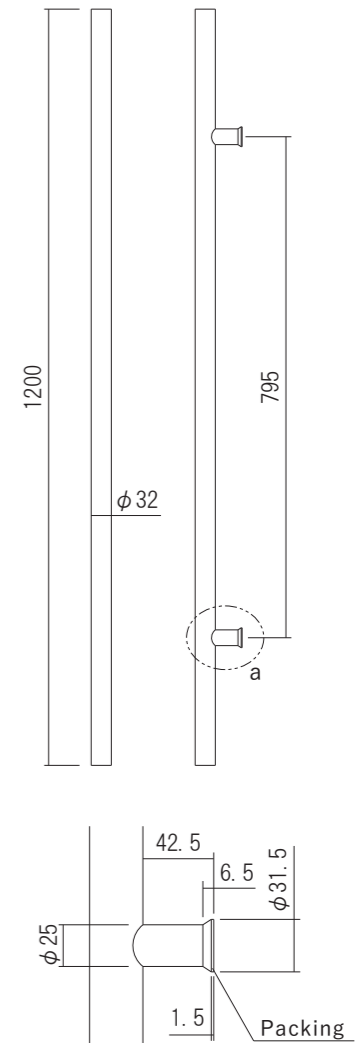


**H-Pull Handle**



Material: Stainless  
Finish/Color: Satin finish

H-Pull Handle  
Product No.  
500-051  
Parts included:  
H-Pull Handle 2pcs  
Assembly screws 1set  
Allen wrench 1pcs



Specification of part a

