

**Bathroom Push Pull Lock**



This is a Good Design Award-winning push-pull lock for the bathroom door. The door can be easily opened or closed even when both of your hands are occupied. Not only it has good usability, but it also has a beautiful design.

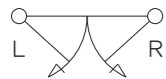
Material: Resin

**Bathroom Push Pull Lock**

Product No.	Specification	Finish/Color
FUP-35LK/W	Left-Hand	White
FUP-35RK/W	Right-Hand	White

Screw included:

- M4 × 40 Truss head machine screw 3pcs
- M4 × 12 Pan head machine screw with a washer 2pcs
- M4 × 10 Flat pan head machine screw 2pcs



There are LH and RH.



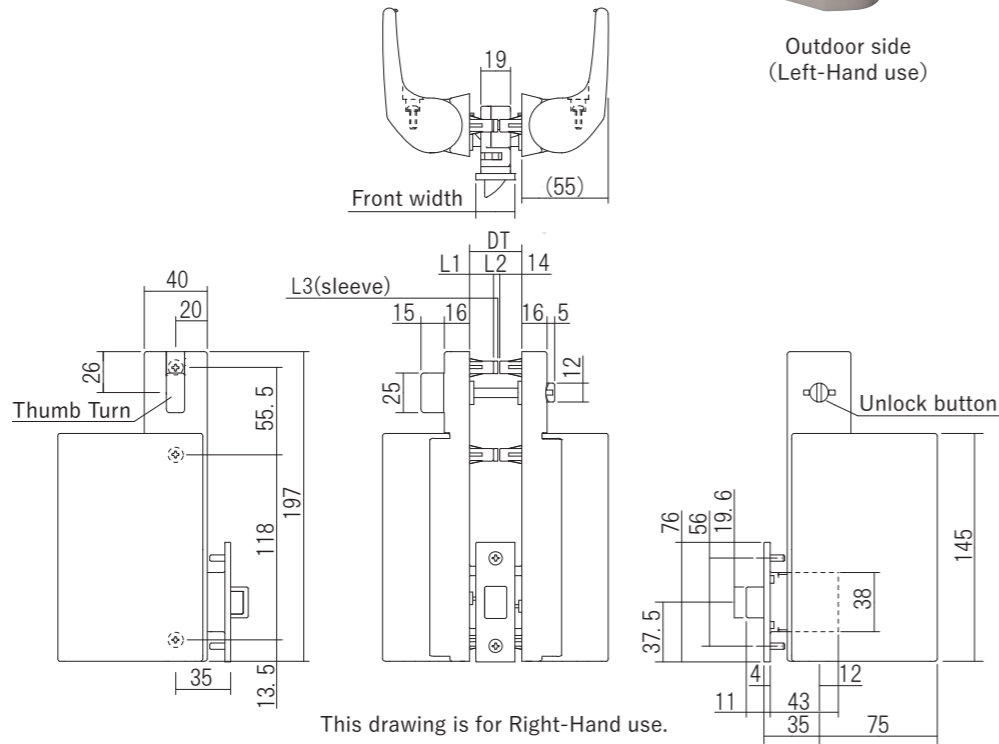
Indoor side (Left-Hand use)



Outdoor side (Left-Hand use)

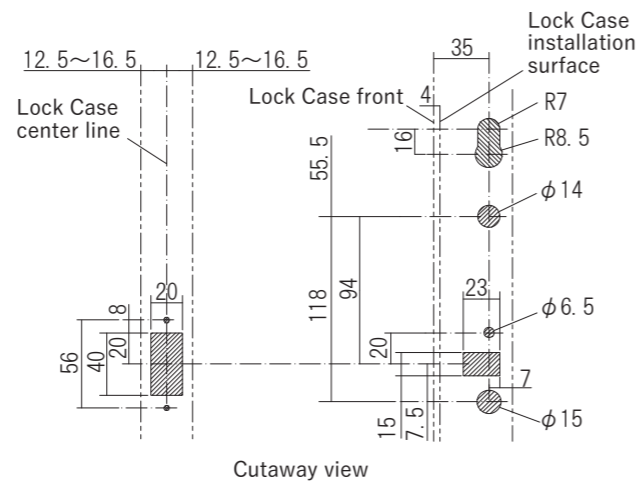


Installation example



This drawing is for Right-Hand use.

(mm)				
Door Thickness	L 1	L 2	L 3	Front width
33	15	4	3	25
30	15	1	0	25
29	10	5	4	25
25	10	1	0	22



Cutaway view



**Child Lock**

This is a separate lockset for bathroom doors. It also features the "child lock" function by placing it in a higher position where children cannot reach and operate it. It's available in 4 different colors to complement any bathroom door color.

Material: Resin  
Door Thickness: 30mm

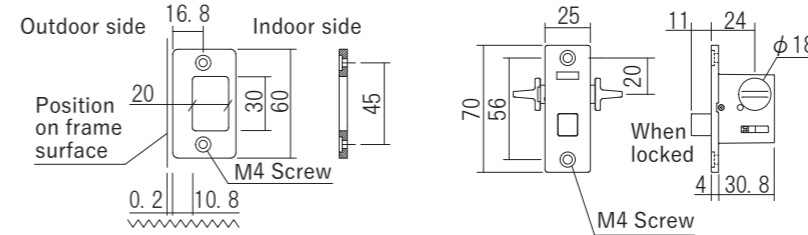
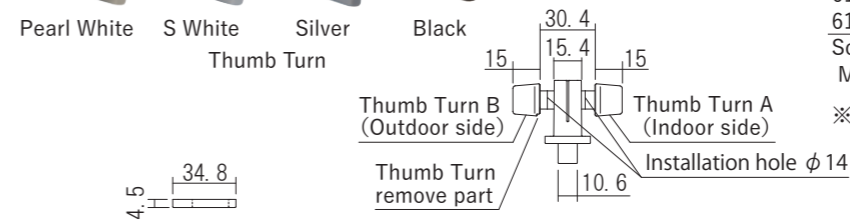
**Child Lock**

Product No.	Finish/Color
610-920	Pearl White
610-921	S White
610-922	Silver
610-923	Black

Screw included:

- M4 Flat pan head machine screw 4pcs

※ The Black lock case is only for Black finish. For other color finishes, the lock case is Silver.



※ It is important to prevent the lock from being unable to open.



When unlocked When locked



**Bathroom Lid Holder**

This product is a holder to store the bathtub lid when not in use. This holder is not taking up the space on the floor but maximizes the use of the wall instead. Slide the hook up and down to take and store the bathtub lids. There are two different sizes to fit the size of your bathtub lids.

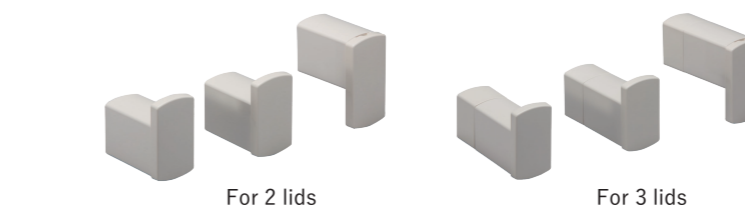
Material: Resin

**Bathroom Lid Holder**

Product No.	Specification	Finish/Color
610-910	For 2 lids	White
610-911	For 3 lids	White

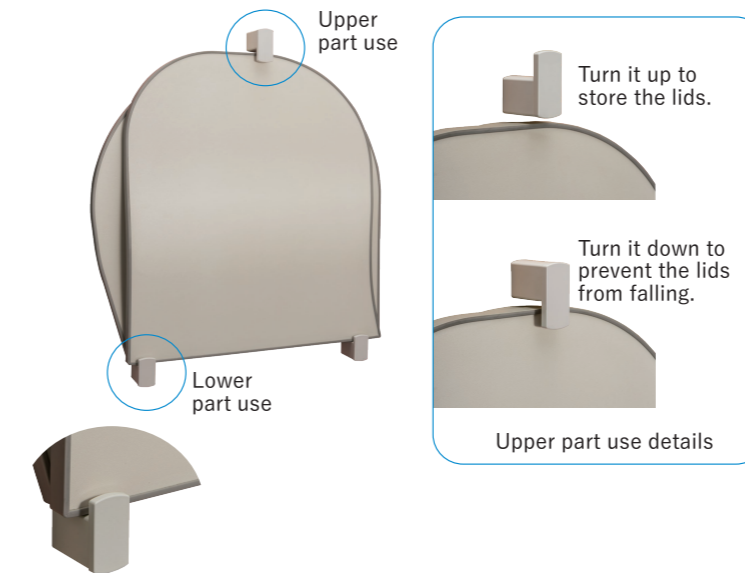
Screw included:

- 〈For 2 lids〉 4 × 30 Truss head tapping screw 6pcs
- 〈For 3 lids〉 4 × 60 Truss head tapping screw 6pcs



For 2 lids

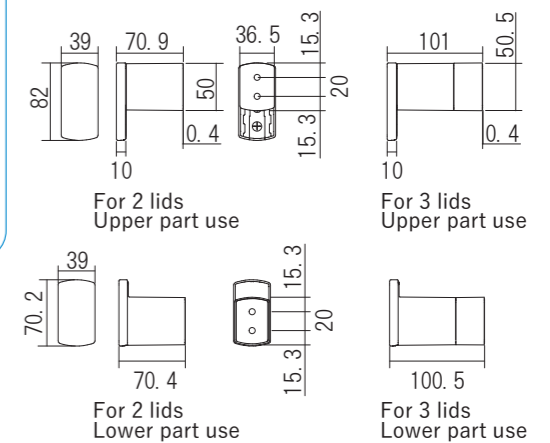
For 3 lids



Upper part use

Lower part use

Upper part use details



For 2 lids Upper part use

For 3 lids Upper part use

For 2 lids Lower part use

For 3 lids Lower part use